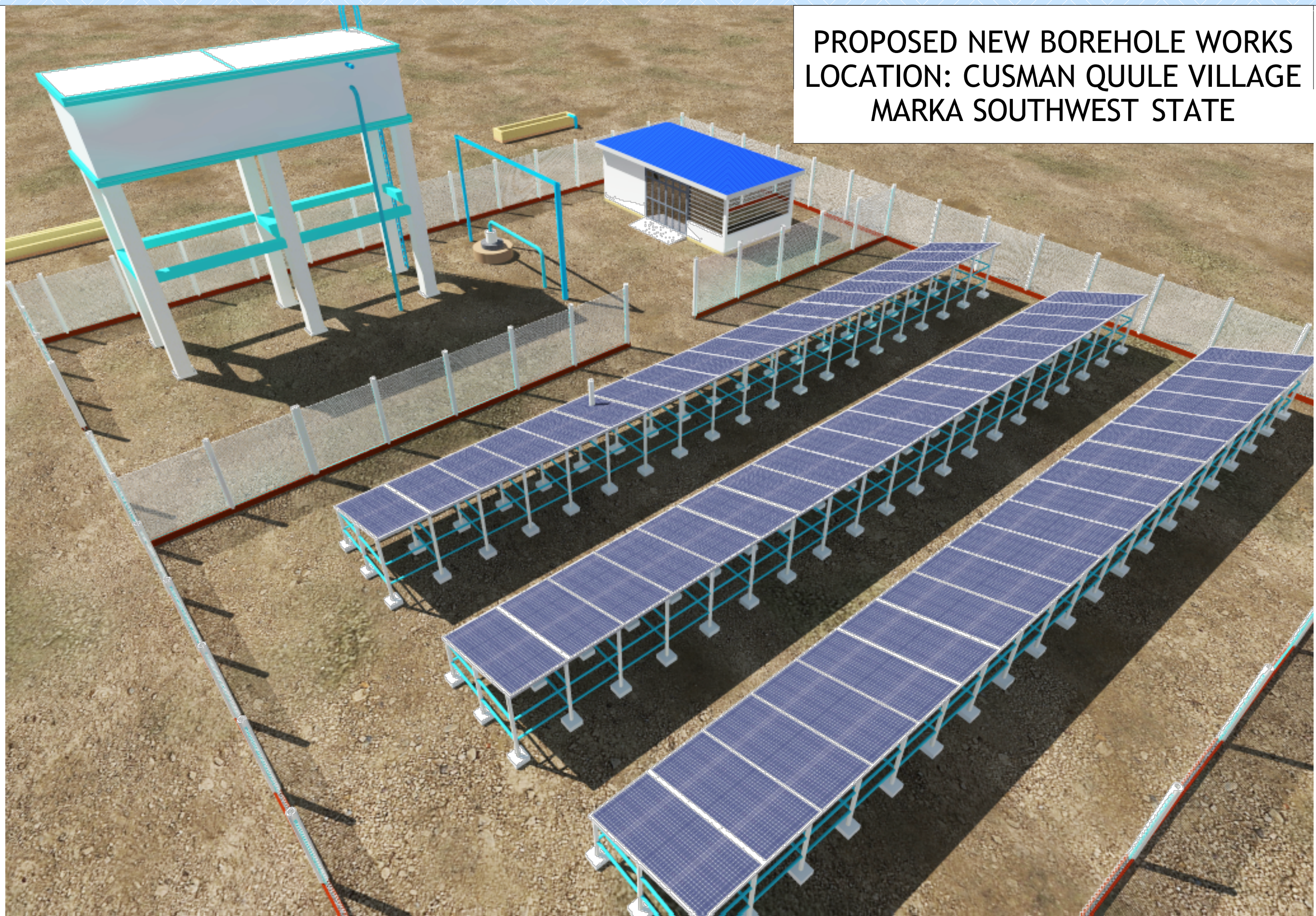


**PROPOSED NEW BOREHOLE WORKS
LOCATION: CUSMAN QUULE VILLAGE
MARKA SOUTHWEST STATE**



PROJECT
PROPOSED NEW BOREHOLE
WORKS



LOCATION
WASH SUPPORTED
BENEFICIARY SITES IN
SOMALIA

DESCRIPTION

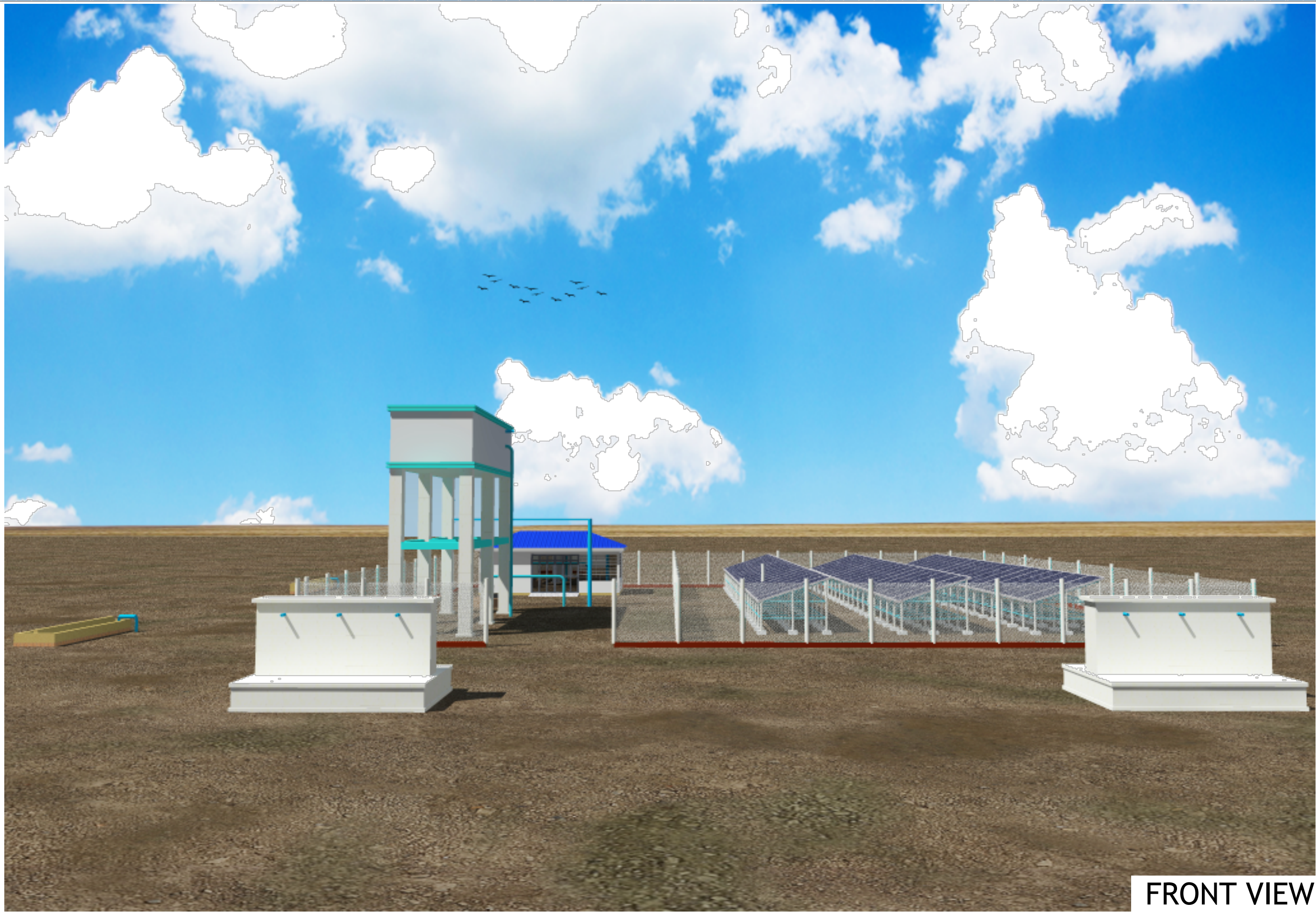
REV.	DESCRIPTION	DATE

STATUS	NEW CONSTRUCTION
DATE	JAN 2020
DESIGNED BY:	ENG. WANJA D.
DRAWN BY :	ENG. WANJA D.
REVIEWED BY:	
APPROVED BY:	DR. O. KHYARE

DRAWING TITLE:	Details
DRAWING N ^o :	
PROJECT N ^o :	

BOREHOLES

SHEET N^o:



FRONT VIEW

PROJECT
PROPOSED NEW BOREHOLE WORKS



LOCATION
WASH SUPPORTED BENEFICIARY SITES IN SOMALIA

DESCRIPTION

REV.	DESCRIPTION	DATE

STATUS	NEW CONSTRUCTION
DATE	JAN 2020
DESIGNED BY:	ENG. WANJA D.
DRAWN BY :	ENG. WANJA D.
REVIEWED BY:	
APPROVED BY:	DR. O. KHYARE

DRAWING TITLE:	Details
DRAWING N^o:	
PROJECT N^o:	

BOREHOLES
SHEET N^o:



FRONT VIEW

PROJECT
PROPOSED NEW BOREHOLE WORKS



LOCATION
WASH SUPPORTED BENEFICIARY SITES IN SOMALIA

DESCRIPTION

REV.	DESCRIPTION	DATE

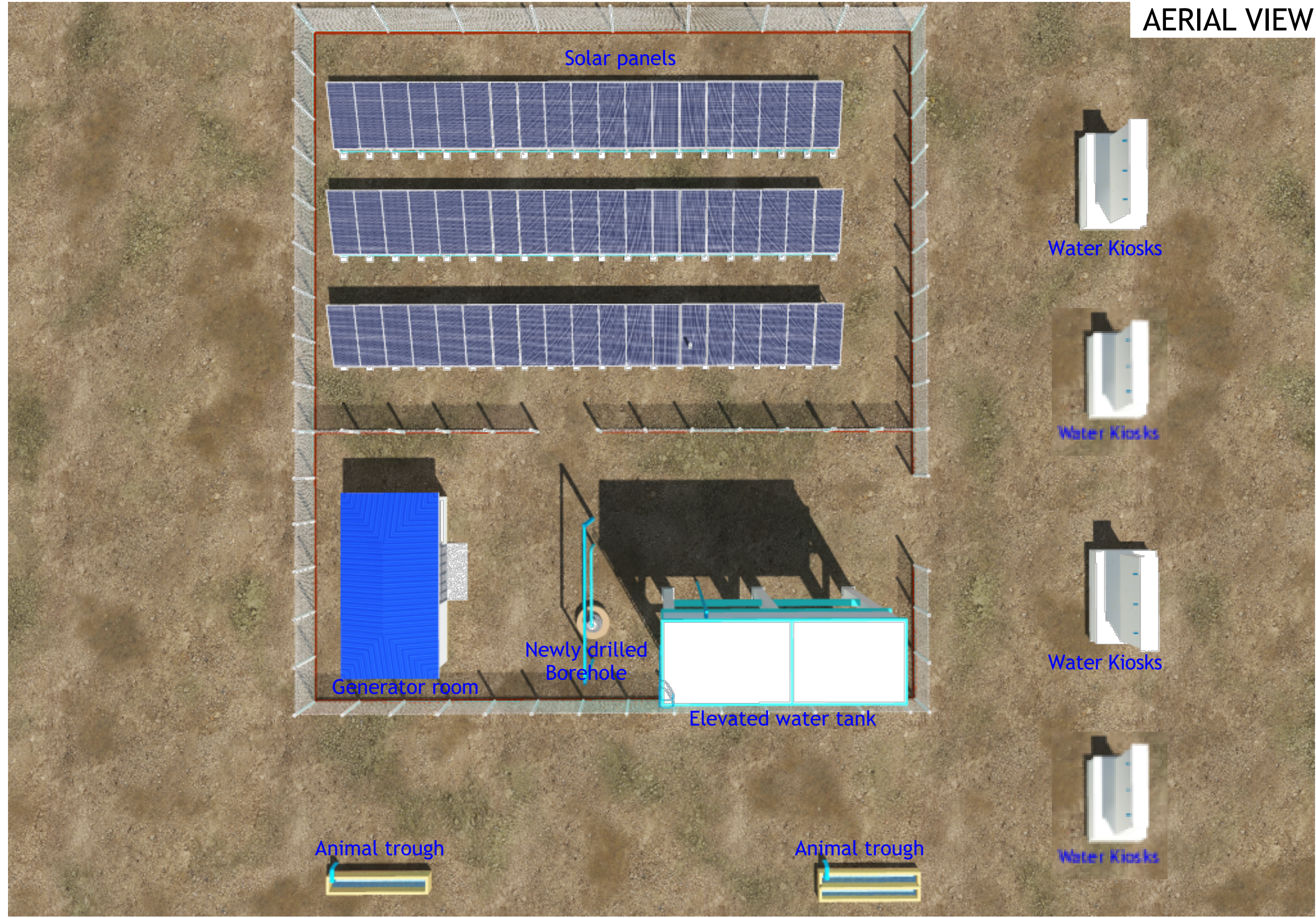
STATUS	NEW CONSTRUCTION
DATE	JAN 2020
DESIGNED BY:	ENG. WANJA D.
DRAWN BY :	ENG. WANJA D.
REVIEWED BY:	
APPROVED BY:	DR. O. KHYARE

DRAWING TITLE:	Details
DRAWING N°:	
PROJECT N°:	

BOREHOLES

SHEET N°:

AERIAL VIEW



PROJECT
PROPOSED NEW BOREHOLE WORKS



LOCATION
WASH SUPPORTED BENEFICIARY SITES IN SOMALIA

DESCRIPTION

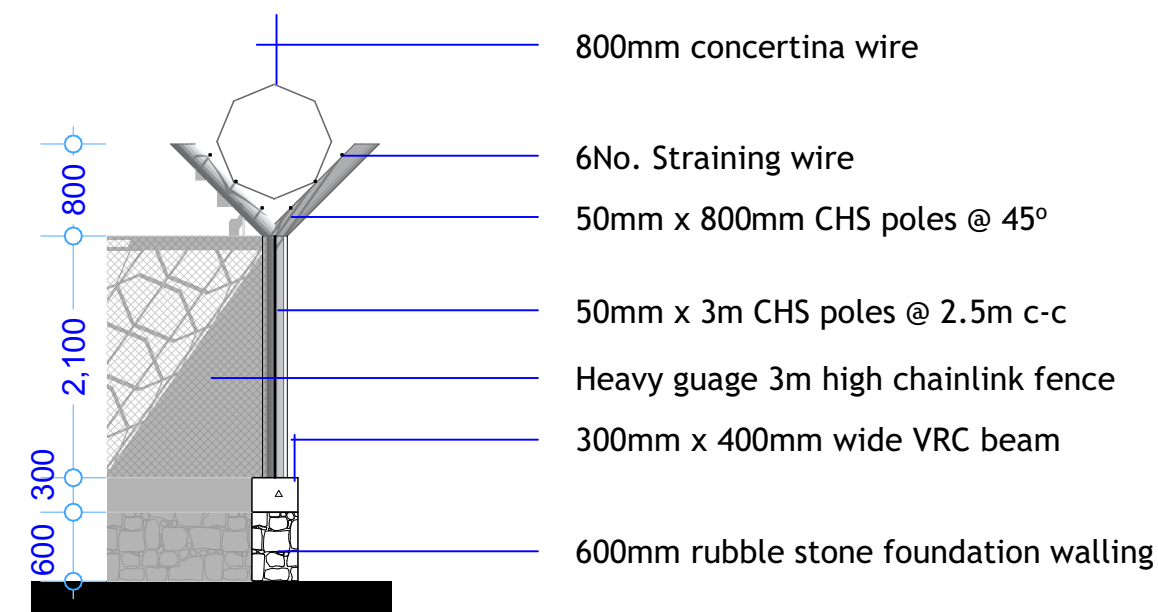
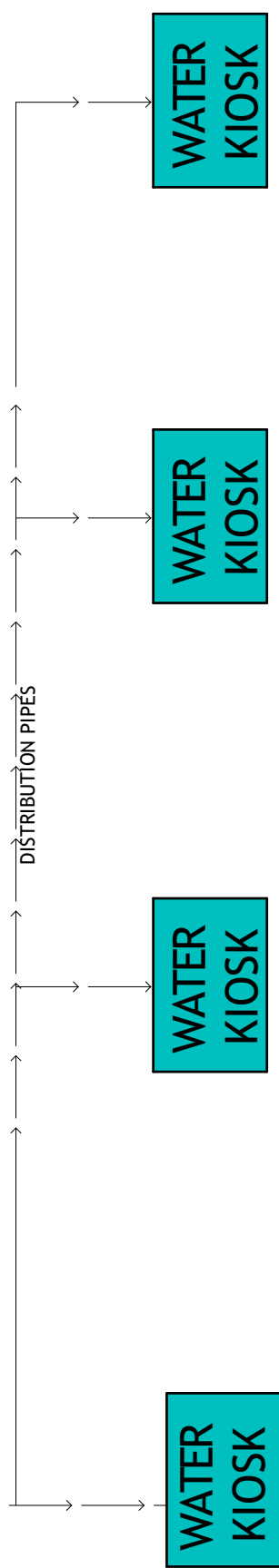
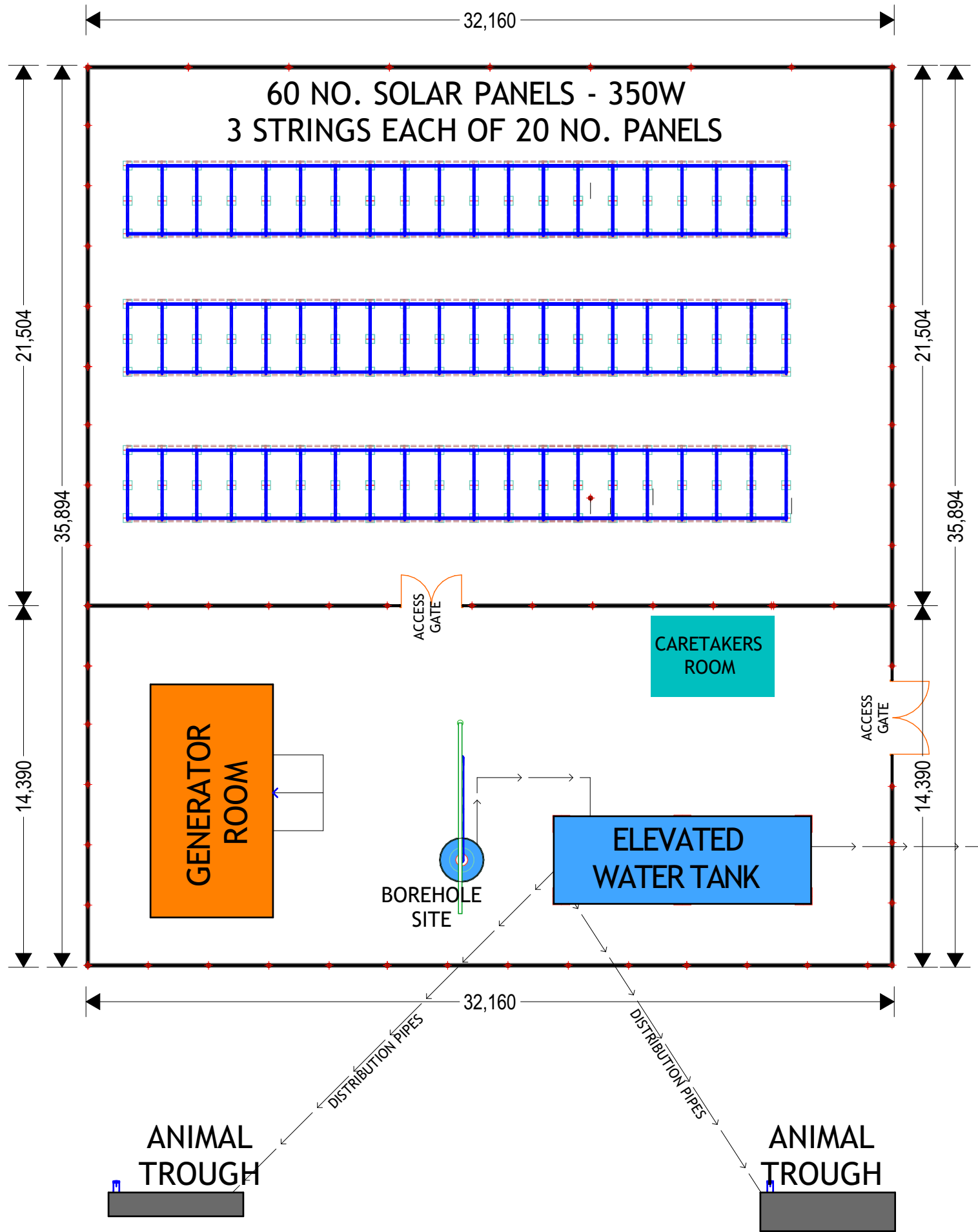
REV.	DESCRIPTION	DATE

STATUS	NEW CONSTRUCTION
DATE	JAN 2020
DESIGNED BY:	ENG. WANJA D.
DRAWN BY :	ENG. WANJA D.
REVIEWED BY:	
APPROVED BY:	DR. O. KHYARE

DRAWING TITLE:	Details
DRAWING N^o:	
PROJECT N^o:	

BOREHOLES

SHEET N^o:



FENCING DETAILS

PROJECT
BOREHOLE REHABILITATION WORKS

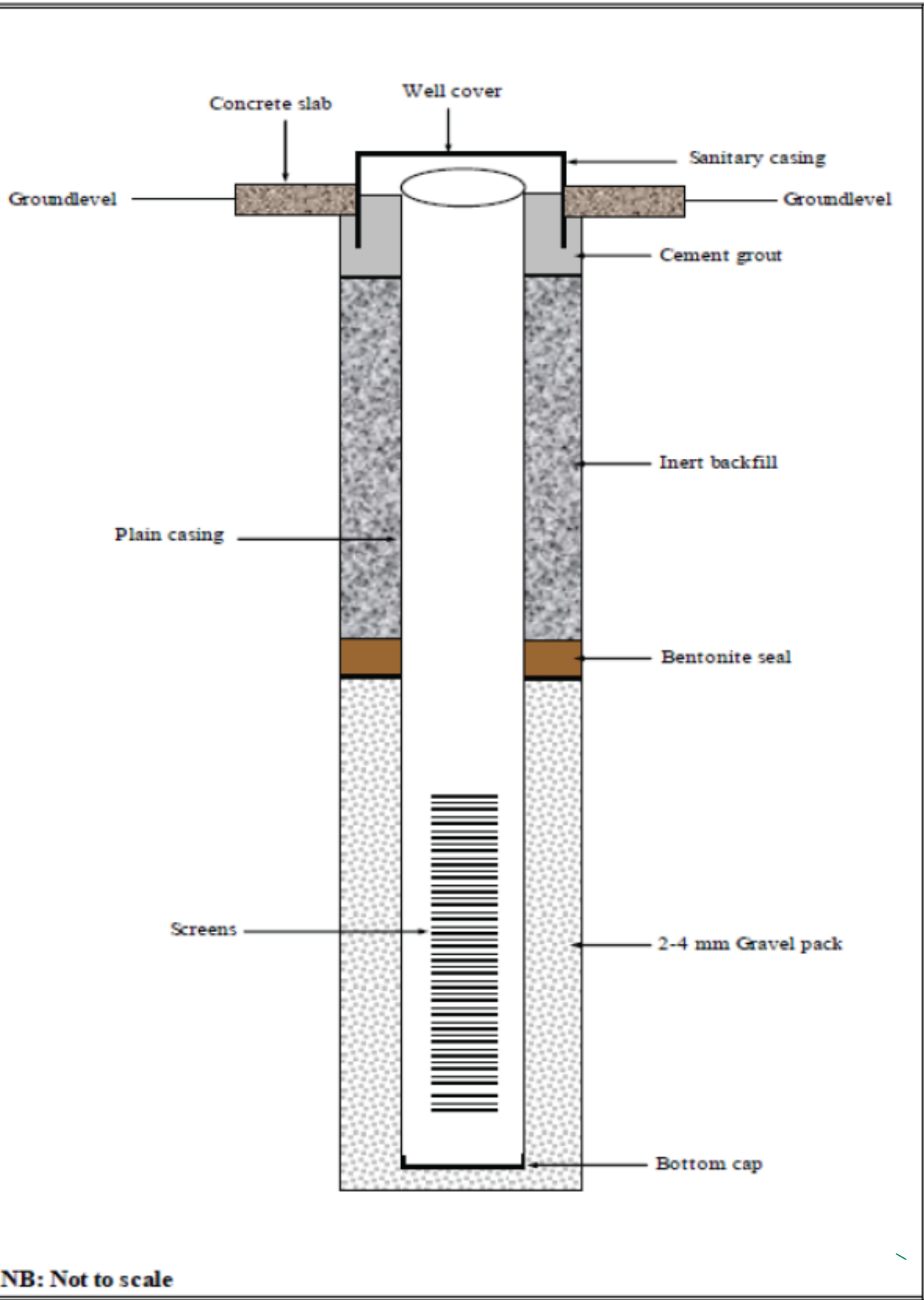


LOCATION
WASH SUPPORTED BENEFICIARY SITES IN SOMALIA

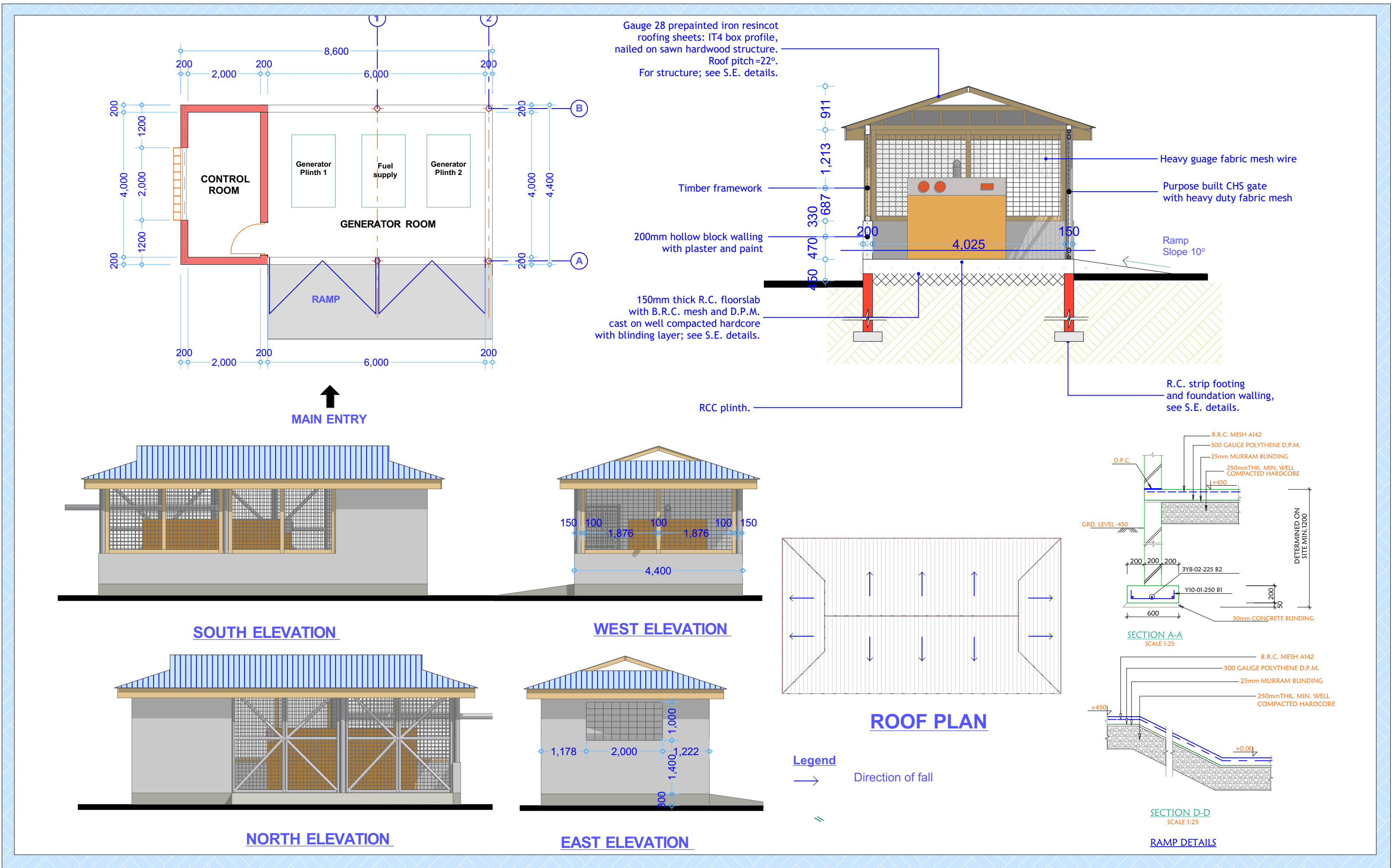
DESCRIPTION

REV.	DESCRIPTION	DATE	STATUS	REHABILITATION WORKS	DRAWING TITLE :
			DATE	JUN 2020	Details
			DESIGNED BY:	ENG. WANJA D.	DRAWING N ^o :
			DRAWN BY :	ENG. WANJA D.	PROJECT N ^o :
			REVIEWED BY:		
			APPROVED BY:	DR. O. KHYARE	

BOREHOLES
SHEET N^o:



PROPOSED BOREHOLE DETAILS AS PER THE
 HYDROGEOLOGICAL SURVEY. EXACT
 DEPTH AND
 DETAILS AFTER TO BE CONFIRMED AFTER
 DRILLING WORKS



PROJECT
 PROPOSED NEW BOREHOLE WORKS



LOCATION
 WASH SUPPORTED FACILITY IN SOMALIA

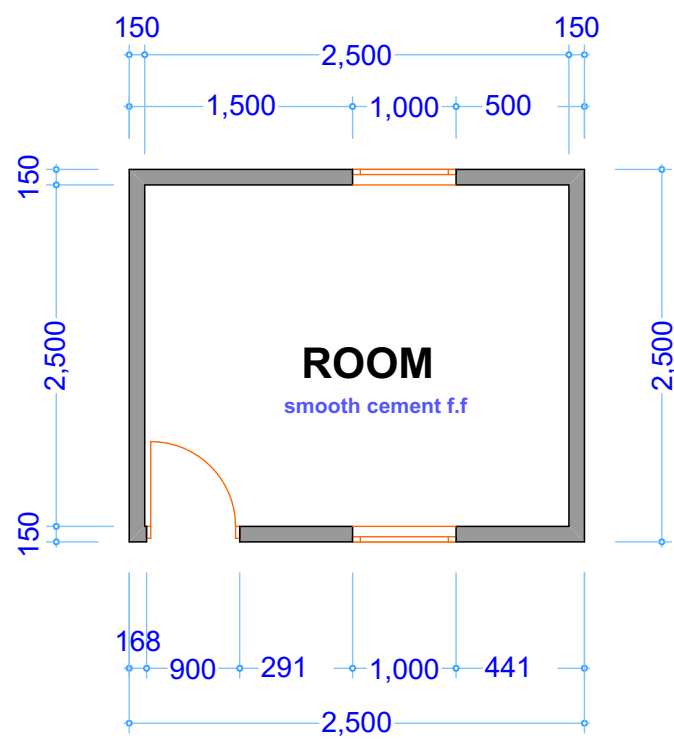
DESCRIPTION

REV.	DESCRIPTION	DATE

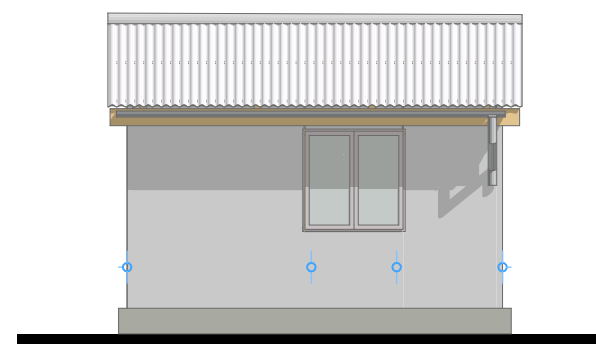
STATUS	NEW CONSTRUCTION
DATE	APRIL 2020
DESIGNED BY:	ENG. WANJA D.
DRAWN BY:	ENG. WANJA D.
REVIEWED BY:	
APPROVED BY:	DR. O. KHYARE

DRAWING TITLE:
 Details
DRAWING N°:
PROJECT N°:

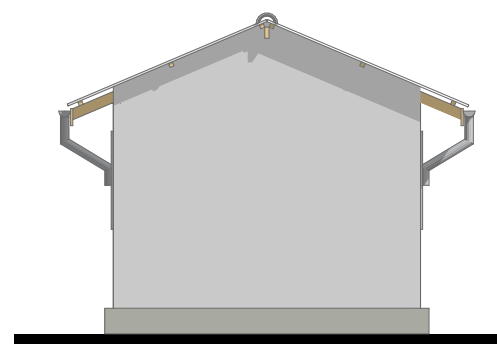
BOREHOLES
 SHEET N°:



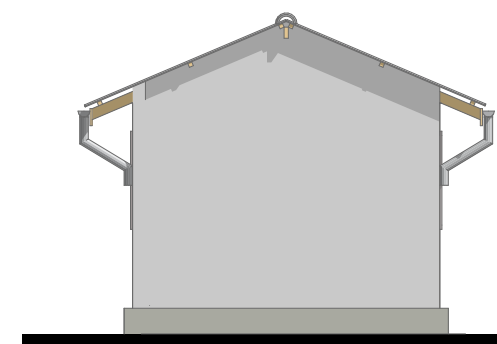
FLOOR LAYOUT



SOUTH ELEVATION



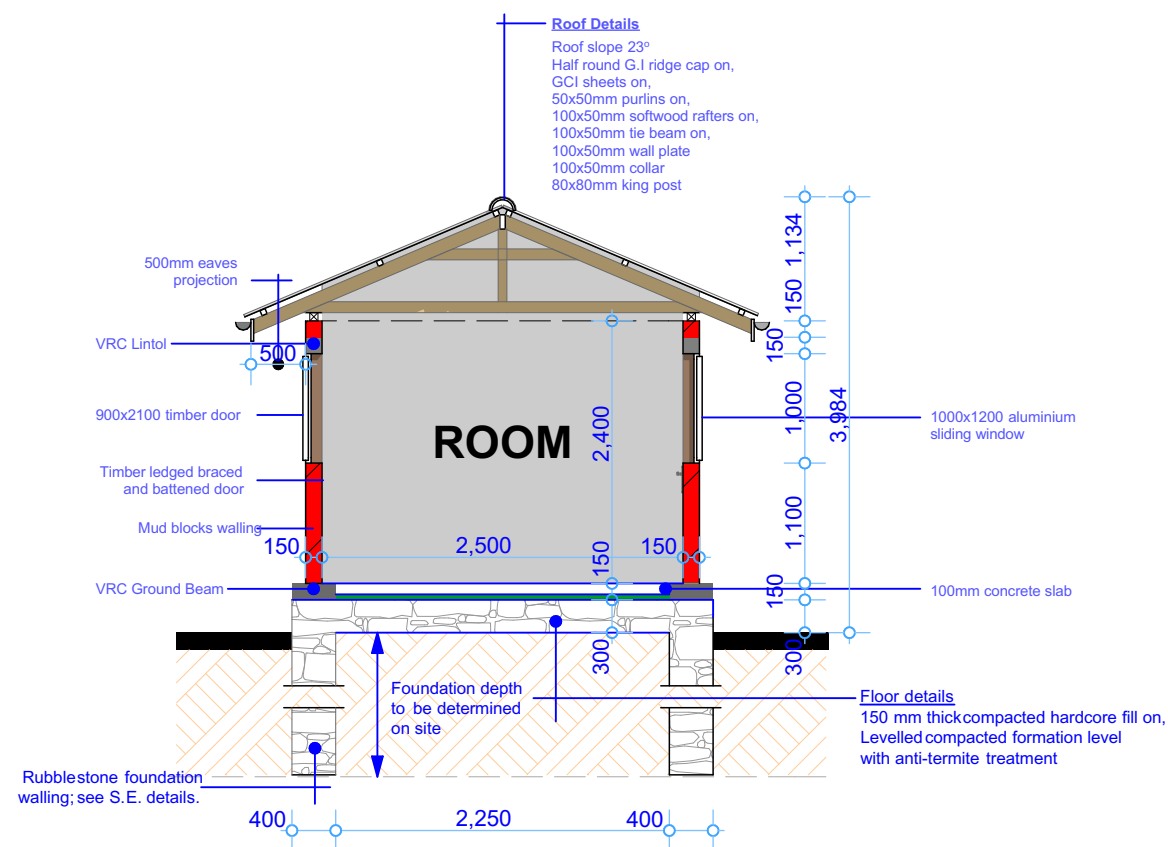
EAST ELEVATION



WEST ELEVATION

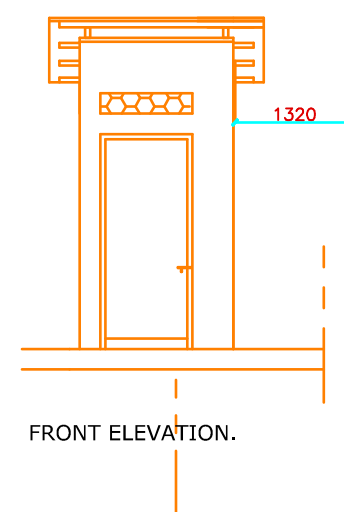


NORTH ELEVATION

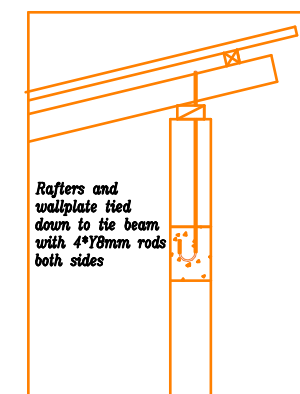


SECTIONAL ELEVATION

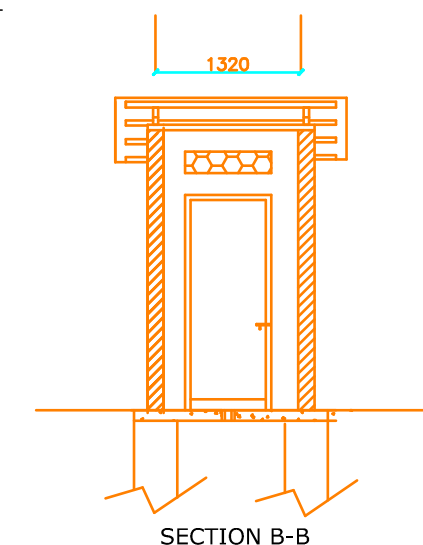
TOILET AND CESSPOOL DESIGN



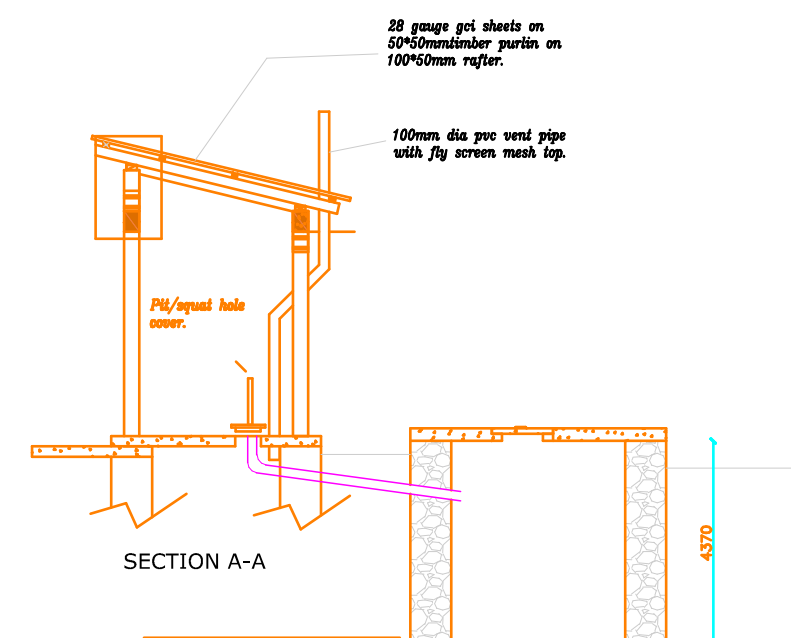
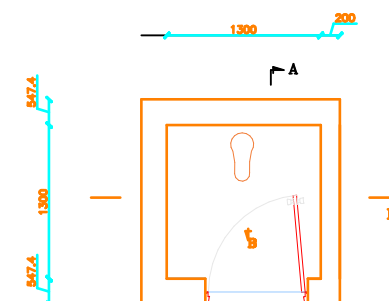
FRONT ELEVATION.



Rafters and wallplate tied down to tie beam with 4x18mm rods both sides



SECTION B-B



SECTION A-A

PROJECT
PROPOSED NEW BOREHOLE WORKS



LOCATION
WASH SUPPORTED REGIONS IN SOMALIA

DESCRIPTION

REV.	DESCRIPTION	DATE

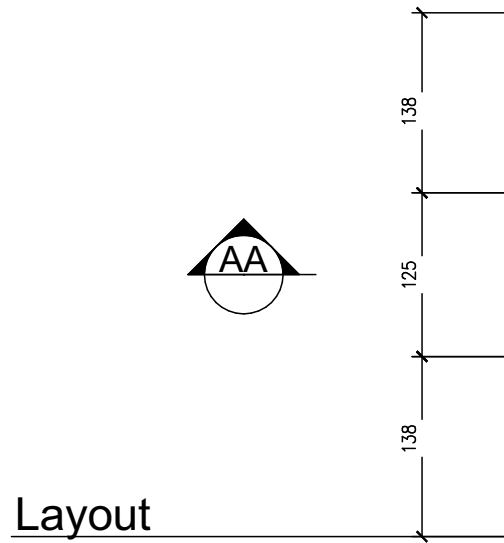
STATUS	NEW CONSTRUCTION
DATE	APRIL 2020
DESIGNED BY:	ENG. WANJA D.
DRAWN BY :	ENG. WANJA D.
REVIEWED BY:	
APPROVED BY:	DR. O. KHYARE

DRAWING TITLE:
Details
DRAWING N°:
PROJECT N°:

BOREHOLES

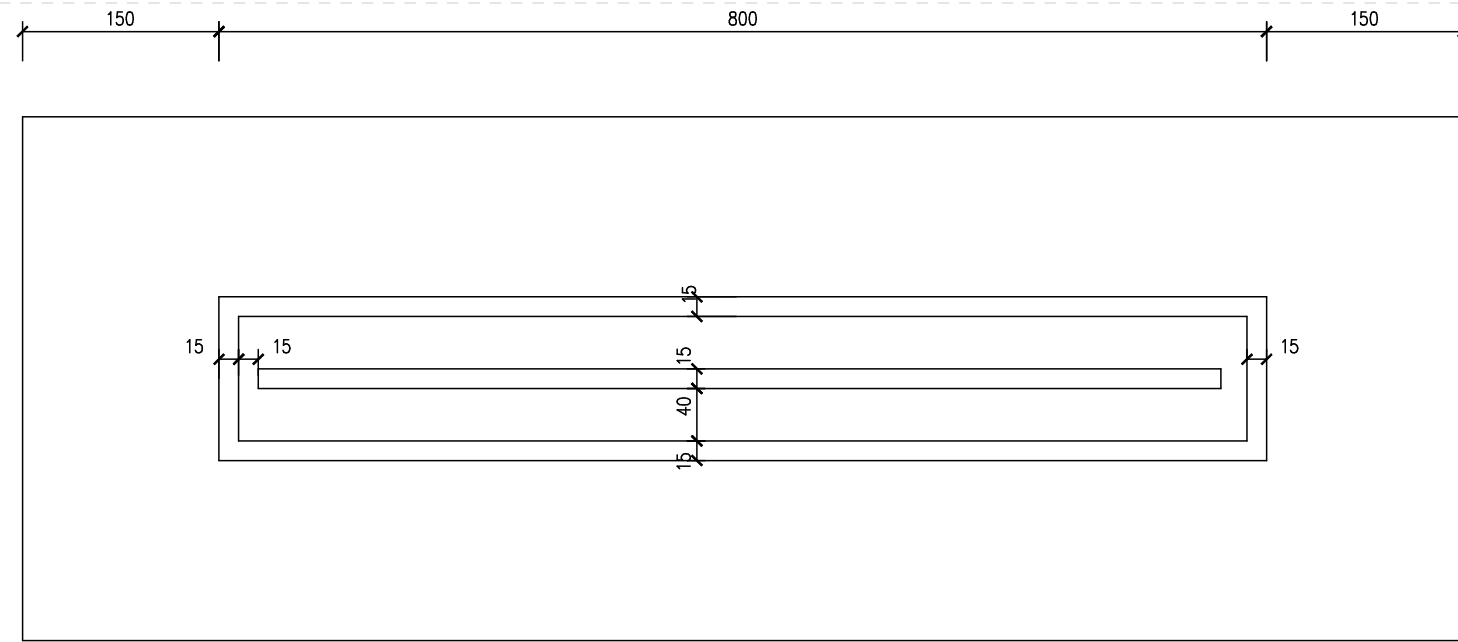
SHEET N°:

Goat/Sheep trough



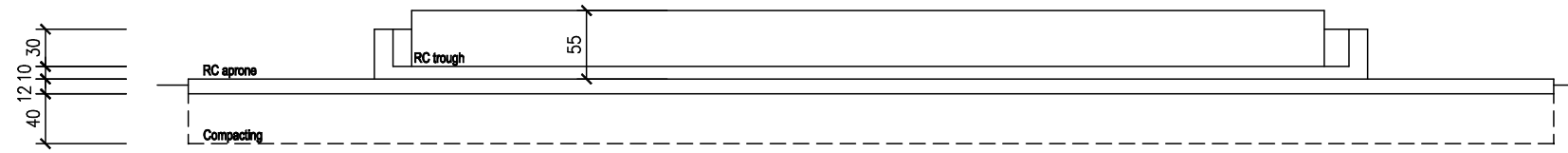
Layout

Scale: 1/50



AA section

Scale: 1/50



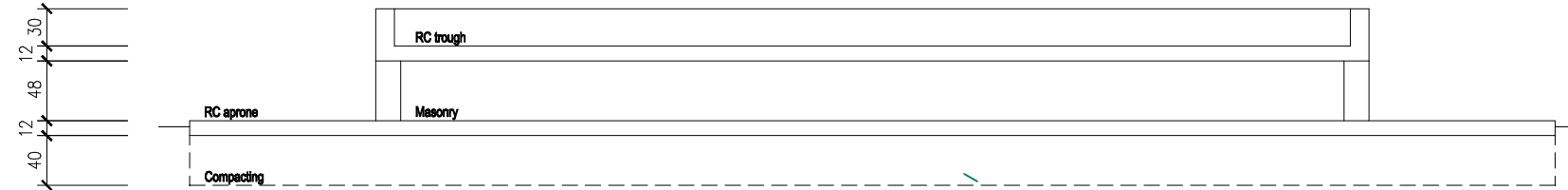
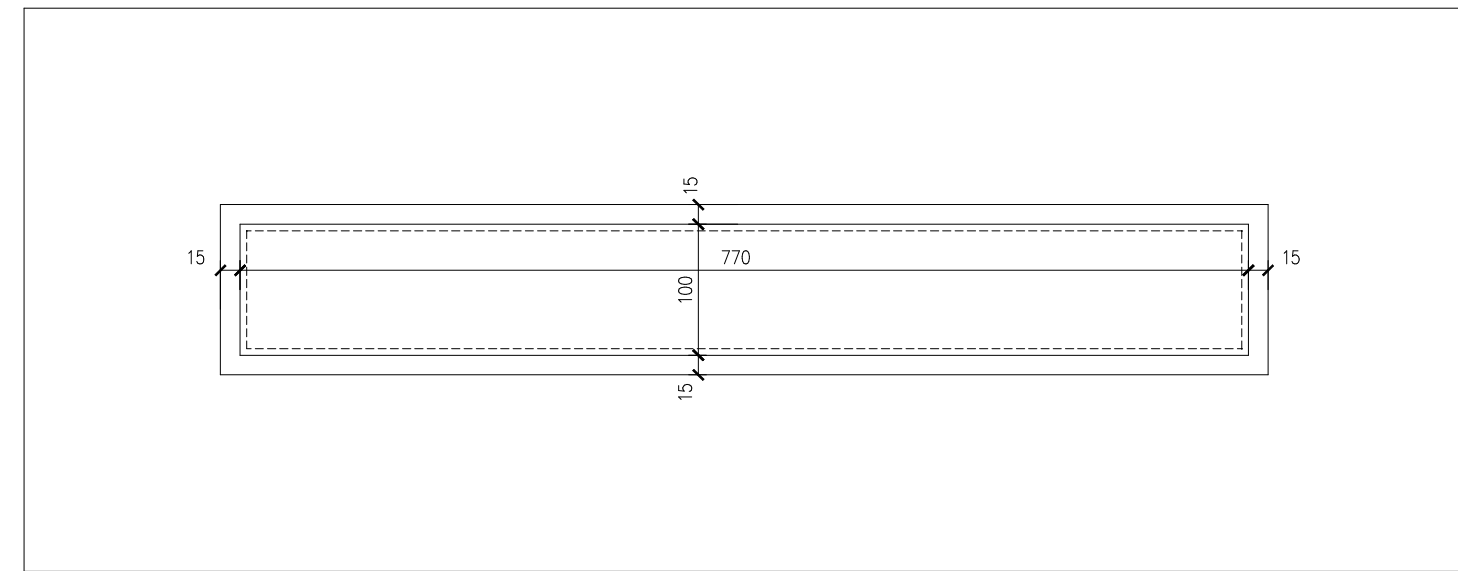
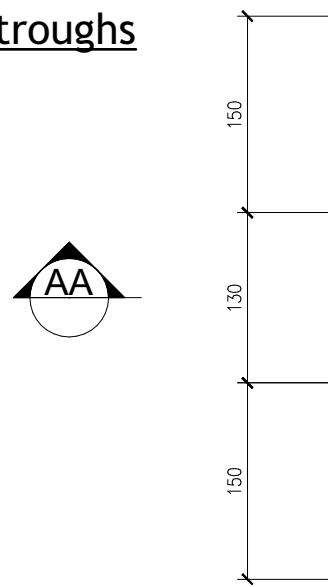
Carmel troughs

Layout

Scale: 1/50

AA section

Scale: 1/50



PROJECT
BOREHOLE REHABILITATION
WORKS



LOCATION
WASH SUPPORTED
BENEFICIARY SITES IN
SOMALIA

DESCRIPTION

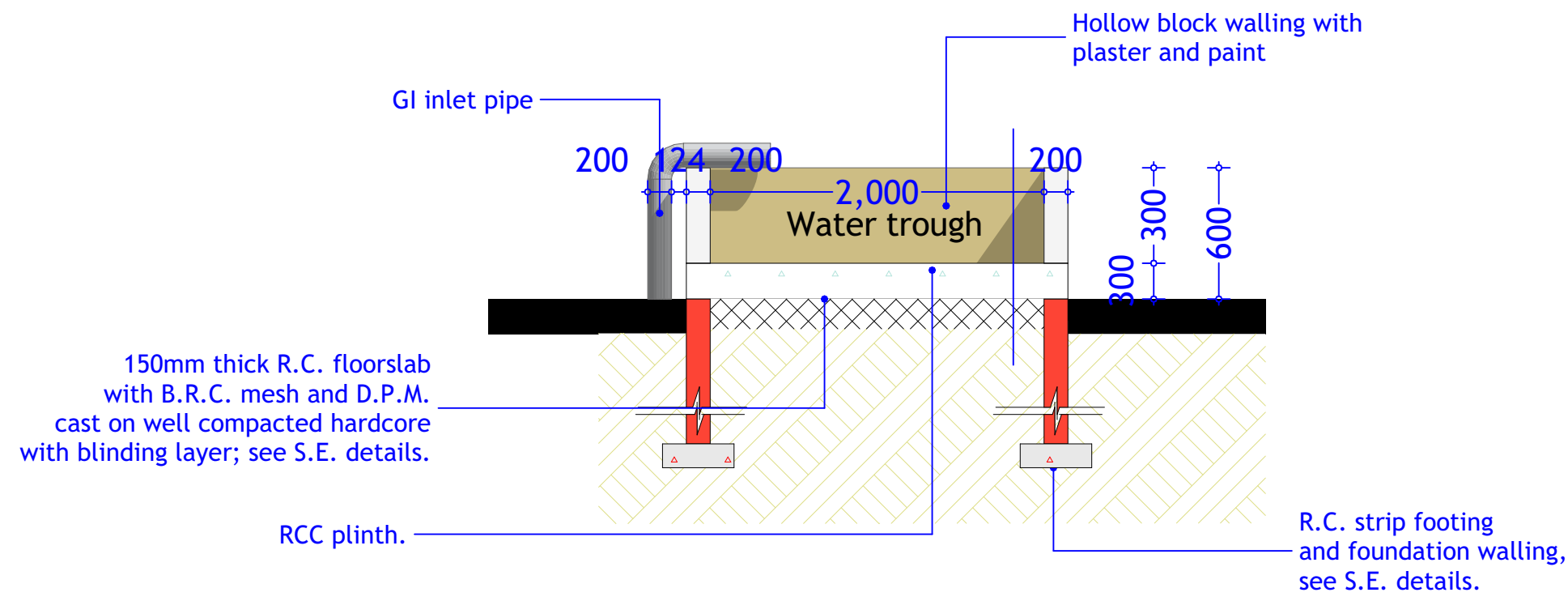
REV.	DESCRIPTION	DATE

STATUS	REHABILITATION WORKS
DATE	JUN 2020
DESIGNED BY:	ENG. WANJA D.
DRAWN BY :	ENG. WANJA D.
REVIEWED BY:	
APPROVED BY:	DR. O. KHYARE

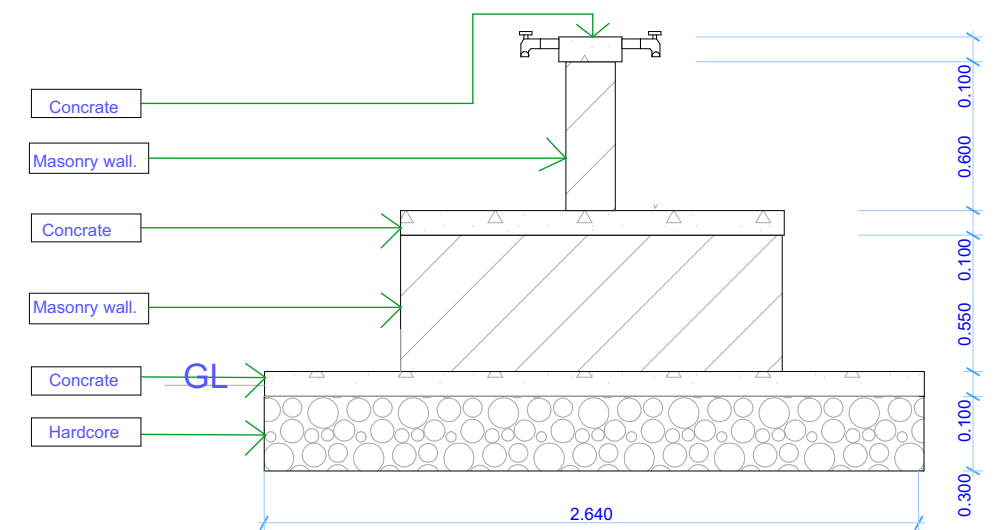
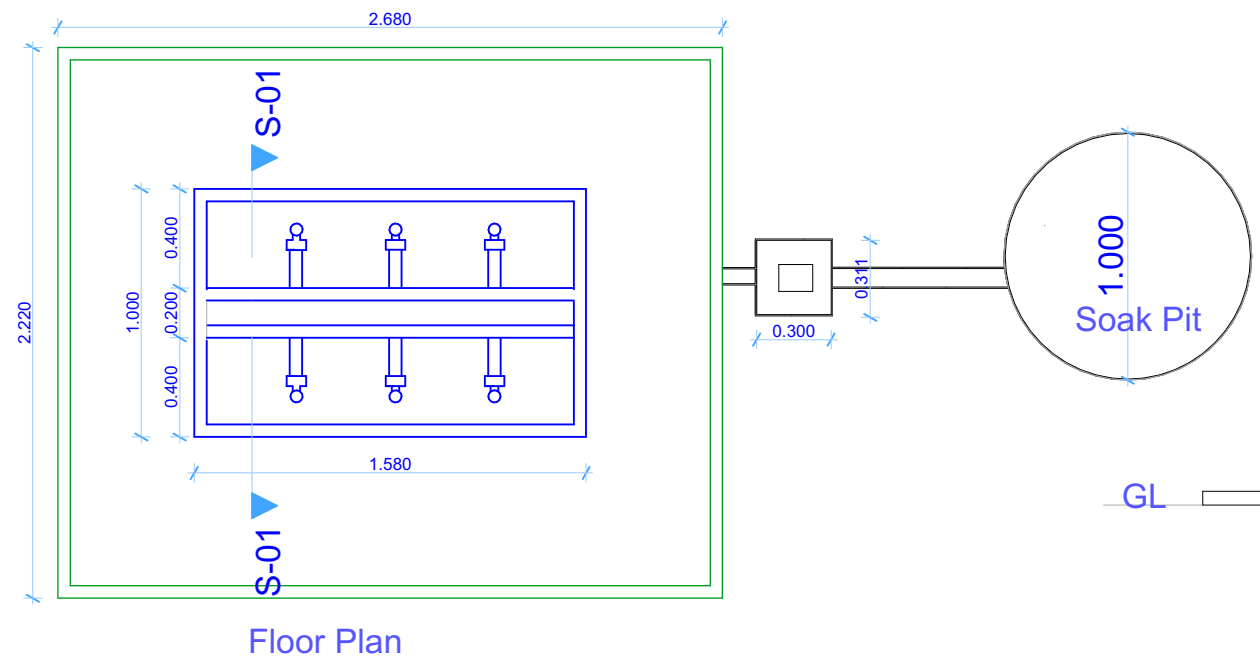
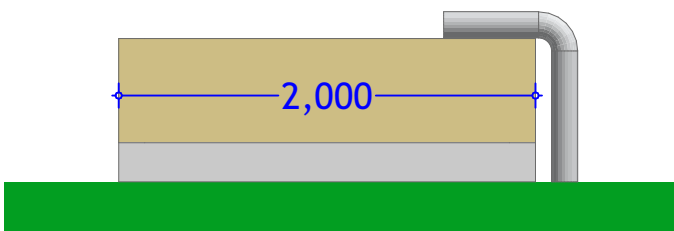
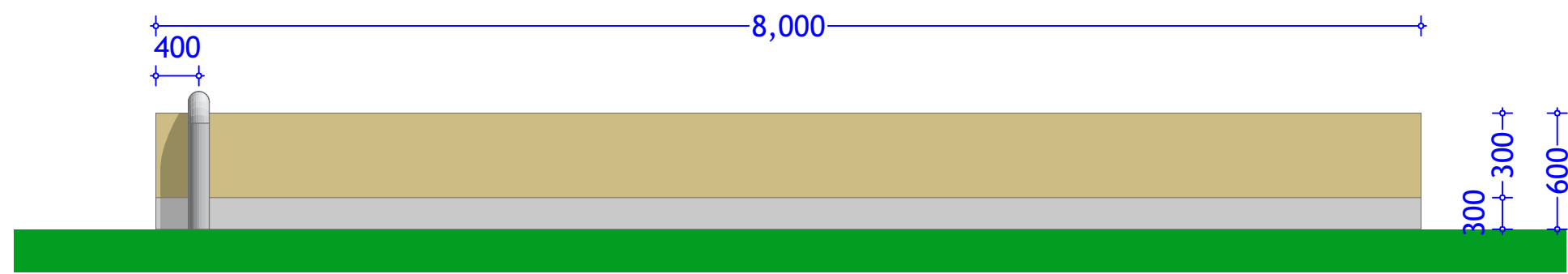
DRAWING TITLE:	Details
DRAWING N°:	
PROJECT N°:	

BOREHOLES

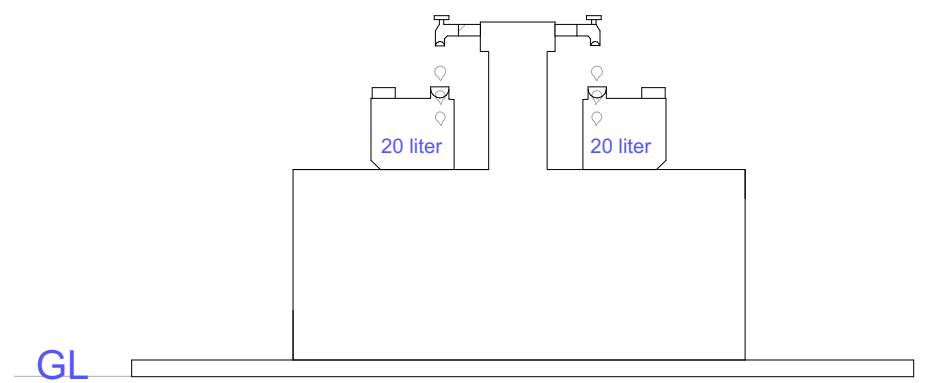
SHEET N°:



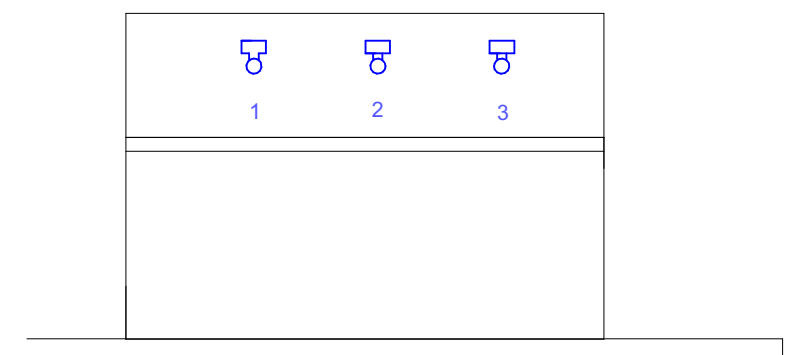
ANIMAL TROUGH



Section S-01



Side Elevation



Front Elevation

WATER KIOSK

PROJECT
BOREHOLE REHABILITATION WORKS



LOCATION
WASH SUPPORTED BENEFICIARY SITES IN SOMALIA

DESCRIPTION

REV.	DESCRIPTION	DATE

STATUS	REHABILITATION WORKS
DATE	JUN 2020
DESIGNED BY:	ENG. WANJA D.
DRAWN BY:	ENG. WANJA D.
REVIEWED BY:	
APPROVED BY:	DR. O. KHYARE

DRAWING TITLE:	Details
DRAWING N°:	
PROJECT N°:	

BOREHOLES

SHEET N°:

